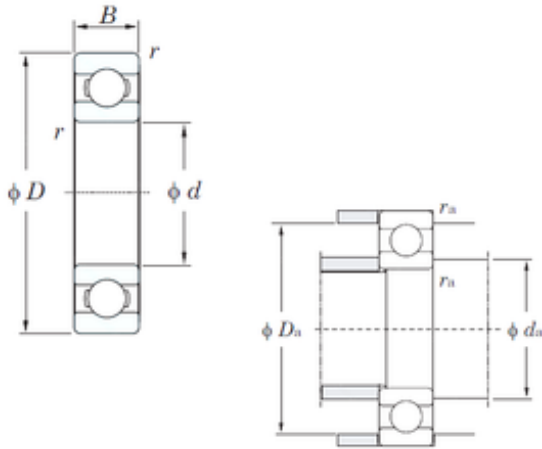




## LLC NTN-SNR RUS

### NTN SKF NSK Koyo Bearing 6001 6003 6005 6201 6203 6205 6301 6303 6305 Deep Groove Ball Bearing



Bearing No. 6001

6001 Bearing 2D drawings and 3D CAD models

Size	12x28x8 mm
Bore Diameter	12 mm
Outer Diameter	28 mm
Width	8 mm
d	12 mm
D	28 mm
B	8 mm
C	8 mm
r min.	0,3 mm
da min.	14 mm
Da max.	26 mm
ra max.	0,3 mm
Weight	0,022 Kg
Basic dynamic load rating (C)	5,1 kN
Basic static load rating (C0)	2,4 kN
(Grease) Lubrication Speed	27000 r/min
(Oil) Lubrication Speed	32000 r/min
Category	Single Row Ball Bearings
Inventory	0.0
Manufacturer Name	KOYO
Minimum Buy Quantity	N/A
Weight / Kilogram	0.024
Product Group	B00308
Enclosure	Open



## LLC NTN-SNR RUS

Precision Class	ABEC 1   ISO P0
Maximum Capacity / Filling Slot	No
Rolling Element	Ball Bearing
Snap Ring	No
Internal Special Features	No
Cage Material	Steel
Internal Clearance	C0-Medium
Inch - Metric	Metric
Long Description	12MM Bore; 28MM Outside Diameter; 8MM Outer Race Diameter; Open; Ball Bearing; ABEC 1   ISO P0; No Filling Slot; No Snap Ring; No Internal Special Features
Category	Single Row Ball Bearing
UNSPSC	31171504
Harmonized Tariff Code	8482.10.50.68
Noun	Bearing
Keyword String	Ball
Manufacturer URL	<a href="http://www.koyousa.com">http://www.koyousa.com</a>
Manufacturer Item Number	6001
Weight / LBS	0.052
Outer Race Width	0.315 Inch   8 Millimeter
Outside Diameter	1.102 Inch   28 Millimeter
Bore	0.472 Inch   12 Millimeter
Bearing No.	6001
r(min)	0.3
Cr	6.40
C0r	2.40
Cu	0.120
f0	13.2
Grease lub.	27000



## LLC NTN-SNR RUS

Oil lub.	32000
da(min)	14
Da(max)	26
ra(max)	0.3
(Refer.)Mass(kg)	0.022