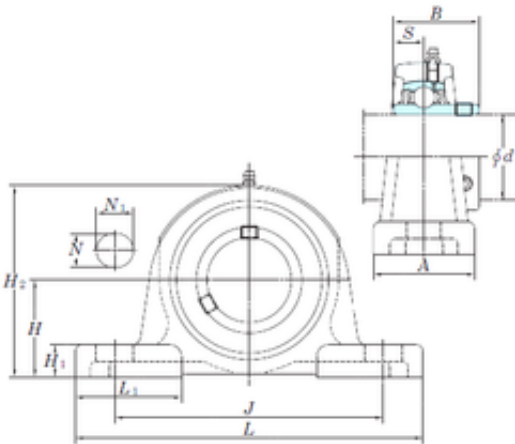




## LLC NTN-SNR RUS

SKF Snr NTN NSK Koyo Pillow Block Bearing  
 UCP205 UCP206-17 UCP206-18 UCP206-19  
 UCP206-20 UCP206 UCP207-20 UCP207-21  
 UCP207-22 UCP207-23 UCP207 UCP208-24



Bearing No. UCP205

Bore Diameter	25 mm
Width	34,1 mm
d	25 mm
A	38 mm
B	34,1 mm
H	36,5 mm
H1	13 mm
H2	71 mm
J	105 mm
L	140 mm
L1	43 mm
N	13 mm
N1	18 mm
S	14,3 mm
Bolt (G)	M10
Weight	0,8 Kg
Basic dynamic load rating (C)	14 kN
Basic static load rating (C0)	7,85 kN
Bearing No.	UCP205
Bolt size	M10
Cr	14.0
C0r	7.85
f0	13.9

UCP205 Bearing 2D drawings and 3D CAD models



## LLC NTN-SNR RUS

(Refer.)Unit mass(kg)	0.80
Nipple size	1/4-28UNF