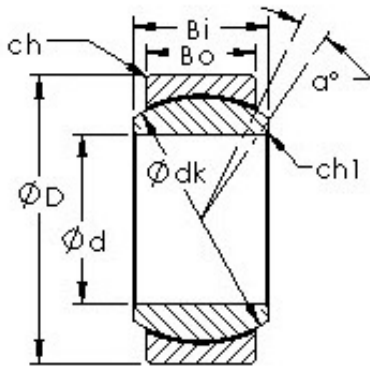




LLC NTN-SNR RUS



AST GEFZ19T plain bearings

Bearing No. GEFZ19T

Bore Diameter	19,05 mm
Outer Diameter	36,5125 mm
Bearing Type	plain
Bore Dia (d)	0.7500
Outer Dia (D)	1.4375
Outer Width (Bo)	0.5930
Inner Width (Bi)	0.7500
Dynamic Load Rating (Cr)	13,263
Static Load Rating (Cor)	19,782
Max. shaft corner radius, or 45 deg. chamfer (ch1)	0.012
Max. housing corner radius, or 45 deg. chamfer (ch)	0.044
Spherical Diameter (dk or Dk)	1.187
Mis-alignment Angle (α deg.)	9
Weight (g)	94.00
Material	Outer ring made from carbon steel, inner ring is made from 52100 Chrome steel, or equivalent

GEFZ19T Bearing 2D drawings and 3D CAD models