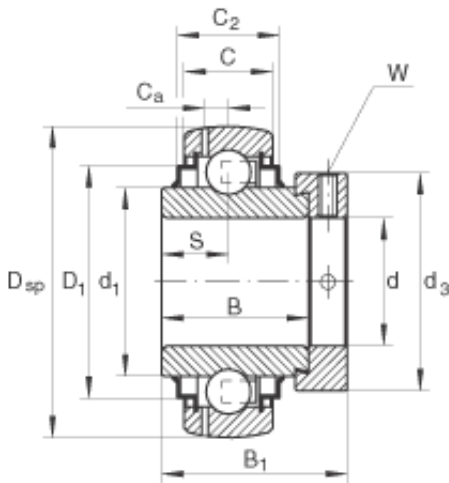




## LLC NTN-SNR RUS

### INA GE20-KRR-B-FA164 deep groove ball bearings

Bearing No. GE20-KRR-B-FA164



GE20-KRR-B-FA164 Bearing 2D drawings and 3D CAD models

Size	20x47x43.7 mm
Bore Diameter	20 mm
Outer Diameter	47 mm
Width	43,7 mm
d	20 mm
D <sub>SP</sub>	47 mm
B <sub>1</sub>	43,7 mm
B	34,1 mm
C	14 mm
C <sub>2</sub>	16,6 mm
C <sub>a</sub>	4 mm
D <sub>1</sub>	37,4 mm
d <sub>1</sub>	27,6 mm
d <sub>3 max</sub>	33 mm
S	17,1 mm
W	3 mm
m	0,2 kg / Weight
C <sub>r</sub>	12800 N / Dynamic load rating (radial)
C <sub>0r</sub>	6600 N / Static load rating (radial)